

XTRABRIGHT® *DIAMOND*

Edge-lit Exit Sign

The newest look in exit lighting is the Xtrabright® *Diamond* edge-lit exit sign. This elegant new design meets the challenge of providing extraordinary aesthetics with state-of-the-art performance.

Illuminated by T-1® Lighting's patented cold cathode light source, our energy efficient solution is brighter and safer than other signs, and lasts at least 10 years. This bright white light source provides optimum contrast without the halo that comes with red and green LEDs. The universal mounting capability - ceiling, back, side and recessed - delivers functionality without bulky features, rough edges or excessive hardware.



Design

Our exclusive molded clear acrylic panel design combines flawless architectural appeal and the latest technology to provide even illumination throughout the entire sign. The high quality aluminum housing is available in standard finishes of brushed aluminum, white and black, or can be custom ordered in our own titanium coating, to compliment any interior décor.

Safer

The safest exit sign is the one that's brightest. T-1® Lighting's bright white lamp technology makes the Xtrabright® *Diamond* edge-lit exit sign the safest choice on the market. It is also safer because it lasts longer; it will be lit at those times when T-5 lamps are typically burned out. Significantly brighter than new LED sign technology, they make it easier to see the way out in emergencies.

Lower cost

High energy efficiency plus long term maintenance free service translates into very low operating costs. An Xtrabright® *Diamond* edge-lit sign reduces operating cost by 75% over a 10 year period compared to F8T5 fluorescent exit signs. Meets Energy Star® requirements.

Maintenance free

The long lasting T-1® light source eliminates maintenance labor and improves exit sign reliability. Install the Xtrabright® *Diamond* edge-lit exit sign and forget about maintenance. Its bright shine will remain far above UL standards for at least 10 years.

The T-1® Light Source Outshines All Others

A brighter white light that stays bright longer? That's the brilliance of the T-1® light technology. This unique patented cold cathode technology has no filaments to burn out and is exceptionally long lasting and effective in exit signs for at least 10 years. Upon installation, our edge-lit sign utilizing the T-1® lamp system is significantly brighter than a standard new LED edge-lit sign. Even after normal degradation and maintenance free operation for a decade, a T-1® Lighting sign will be brighter than most new LED exit signs.

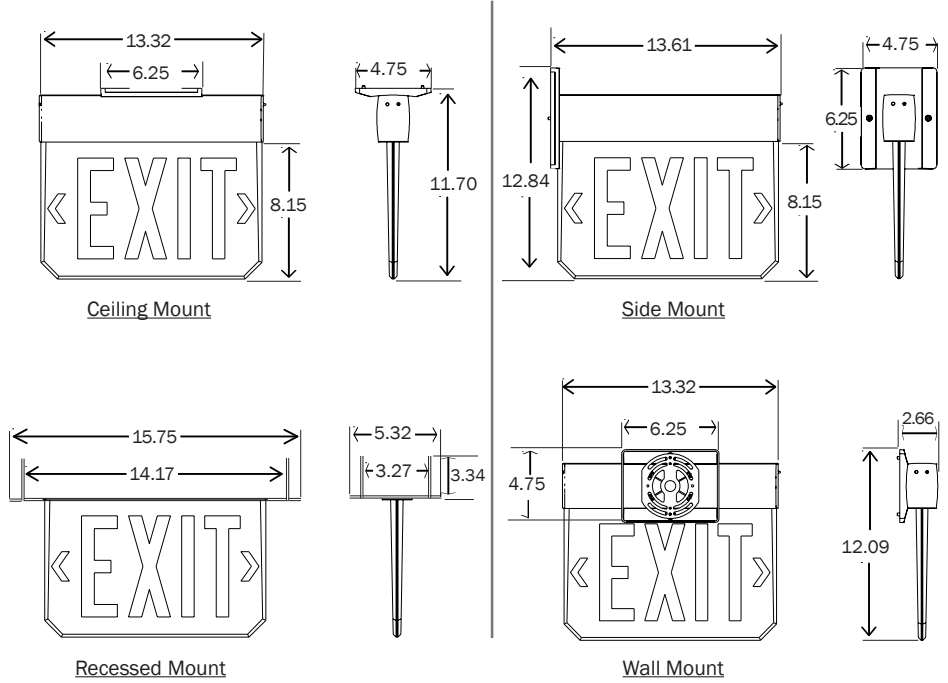
Xtrabright® Diamond Edge-lit

SYSTEM SPECIFICATIONS

Dual Voltage*	120v / 277v
Wattage	4.4w / 4.8w
Current	73mA / 51mA
Ni-Cad Battery Backup	2 hours std.
Test Switch and AC-on indicator	Yes
Low Voltage Disconnect	Yes
AC Lockout	Yes
Light Source	T-1®
UL Compliant Life	at least 10 years
UL Classification	924
No. of Lamps/Unit	Two
Parallel Operation	Yes
Built in Surge Suppression	Yes
Reverse Polarity Protection	Yes

* Switching Power Supply allows operation from 90-300v AC and between 50-60 Hz.

DIMENSIONS



Features/Benefits

Specifier quality: architecturally designed panel with custom housing finishes

Exceptional brightness: exceeds Underwriters Laboratory 924 standards

Safer in emergencies: a brighter sign is easier to see

White light: even illumination for green or red legend lettering

Efficient light source technology: the high performance T-1® lamp

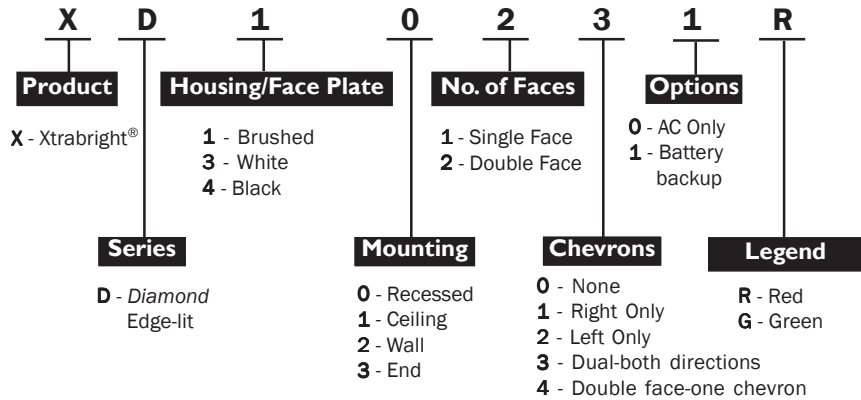
Saves energy: higher lumen-per-watt output than LED exit signs

Maintenance free: provides stable, bright output for at least 10 years

Economical: costs 75% less to operate than F8T5 fluorescent lamp signs

Product Ordering Selector

PRODUCT NUMBER EXAMPLE: XD10231R



* Panels shipped with white and silver insert for installer selection

SKU	NAME	DESCRIPTION
10096	SP 120-Relay	Dual Circuit Relay Module - 120 vac
10097	SP 277-Relay	Dual Circuit Relay Module - 277vac



www.T-1Lighting.com

888-733-6374

212-253-4248 fax



Warranty

Lamp and ballast shall be free from defects in material and workmanship five years from the date of manufacture. Maintenance free Ni-Cad batteries have a five year pro-rata warranty. BJI Energy Solutions, LLC reserves the right to determine if the unit was defective, and that it was used in accordance with the Company's prescribed guidelines. Warranty will not be honored for a device which is opened or installed in situations not intended for installation. This warranty only covers replacement of defective components and BJI Energy Solutions, LLC is not responsible for losses beyond the actual product supplied.

This BJI Energy Solutions, LLC product is protected by US patent #6,471,388. T-1 and Xtrabright are registered trademarks of BJI Energy Solutions, LLC. All rights reserved. All specifications and prices are subject to change without notice.