

T-1® *SELECT* SERIES

The T-1® *Select* Series under-cabinet light offers ultra thin profile in a state-of-the-art energy efficient fixture. This unique design features T-1® Lighting's patented cold cathode light source with dimming capability. Our proprietary linear prismatic lens and adjustable lamp sockets allow the installer to direct the light where it is needed. As with all T-1® Lighting products, the long lamp life insures that the bright light far outlasts light sources in other fixtures.



Design

Our exclusive design uses the long life T-1® lamp, the smallest profile light source available, in an under-cabinet fixture that delivers functionality in a specifier product. The bright light is available with either a high/low mode or with full dimming capability to adjust to any required lighting condition. When combined with our own linear prismatic lens and adjustable socket system, the light can be directed exactly where its needed. The connective system enables multiple fixtures to be easily coupled together for larger installations.

Lower cost

High energy efficiency plus long term maintenance free service translates into very low operating costs. The T-1® *Select* Series significantly reduces operating costs compared to a standard fluorescent fixture. The high/low feature offers the option of maximum light or reduced electricity consumption at a lower light setting, thus allowing for a truly custom installation.

Maintenance free

The long lasting T-1® light source eliminates maintenance labor and improves light fixture reliability. Install the T-1® *Select* under-cabinet light and forget about maintenance. Its bright shine will continue long after other lights have burned out. If a lamp does need to be changed, our patent pending socket system makes replacement easy.

The T-1® Light Source Outshines All Others

The T-1® is a highly efficient and long lasting light source that produces bright color correct light. This unique patented cold cathode technology has no filaments to burn out and is the smallest profile light source available. These attributes significantly differentiate it from other technologies. The superiority of this long life lamp is realized through its small size, easy lamp relocation, energy efficiency and cold operation.

UNDERCABINET

T-1® SELECT SERIES

SYSTEM SPECIFICATIONS

Voltage	120v
Wattage*	18w
Current	230mA
Lamp Color Temperature	3,500°k
Light Source	Long Life T-1®
No. of Lamps/Unit	One or Two
Dimming	5%-100%
High/Low Option	Yes
Adjustable Light Aiming	Yes
Lamp Socket System	Yes

* Dual Lamp - 24" fixture

Features/Benefits

Specifier quality: minimal profile with high/low or dimming capability

Universal application: adjustable light source to direct the light where needed; easy connectivity of multiple fixtures

Exceptional brightness: high color rendering illumination for all applications

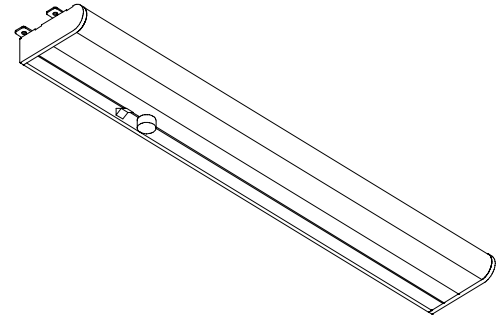
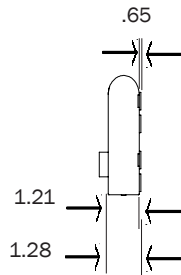
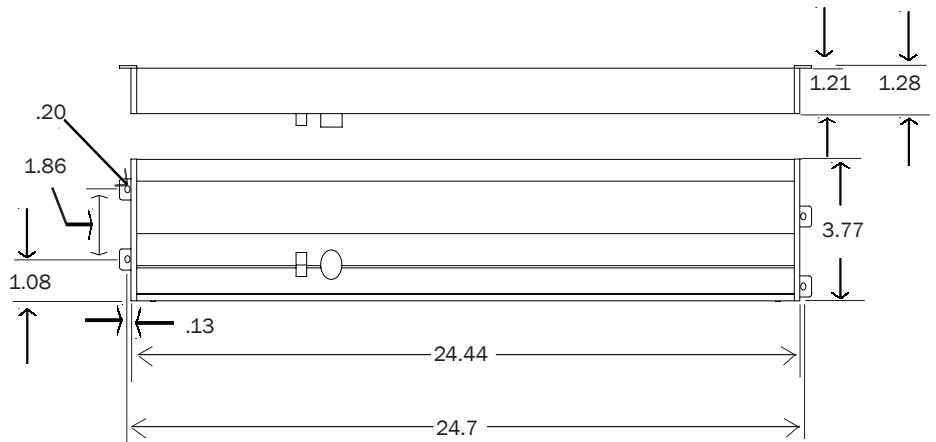
Efficient light source technology: the high performance T-1® lamp

Saves energy: higher lumen-per-watt output than traditional fluorescent fixtures

Maintenance free: provides stable, bright output far longer than fluorescent lamps

Economical: costs less to operate than traditional fluorescent lamp fixtures

DIMENSIONS



Product Ordering Selector

PRODUCT NUMBER		EXAMPLE: TS24021W				
T	S	24	0	2	1	W
Product	Series	Length	Light Aiming	No. of Lamps	Options	Color
T - T-1®	S - Select	6 - 6 inch 12 - 12 inch 18 - 18 inch 24 - 24 inch	0 - Non-adjustable 1 - Adjustable*	1 - Single 2 - Double	0 - Non-dimming 1 - Dimming	W - White B - Black T - Titanium

* Available with single lamp, only

SKU	NAME	DESCRIPTION
TS40001	TS-adapter	Multi-unit power connector



www.T-1Lighting.com

888-733-6374

212-253-4248 fax

Warranty

Lamp and ballast shall be free from defects in material and workmanship five years from the date of manufacture. BJI Energy Solutions, LLC reserves the right to determine if the unit was defective, and that it was used in accordance with the Company's prescribed guidelines. Warranty will not be honored for a device which is opened or installed in situations not intended for installation. This warranty only covers replacement of defective components and BJI Energy Solutions, LLC is not responsible for losses beyond the actual product supplied.

This BJI Energy Solutions, LLC product is protected by US patent #6,135,620 and other patents pending. T-1 and Xtrabright are registered trademarks of BJI Energy Solutions, LLC. All rights reserved.