

T-1® LAMP MODULE

The T-1® Lamp Module offers superior performance in an energy efficient lamp system. Illuminated by T-1® Lighting's patented cold cathode light source, our energy efficient lamp module provides heat free light that far outlasts other light sources without degrading.



Design

The T-1® provides uniform illumination using color correct rendering, ranging from 3,500°K to 7,000°K, in an energy efficient light. Our patented Lamp Module and patent pending universal mounting socket system combines robust design with a simple lamp replacement method to permit the T-1® to be used in a multitude of lighting environments. It is available in lengths ranging from 6" to 24" in dimming or non-dimming mode.

Lower cost

High energy efficiency plus long term maintenance free service translates into very low operating costs. The T-1's cold operation keeps ambient temperatures lower in situations where multiple lights are in use. It provides bright light using minimal wattage, translating into significantly lower cost compared to standard light sources. The optional high/low ballast gives added flexibility in brightness and energy savings.

Maintenance free

The long lasting T-1® light source eliminates maintenance labor and improves light fixture reliability in all installations. Install the T-1® Lamp Module and forget about maintenance - it can last up to 100,000. Its brilliance will continue long after other lights have burned out. If a lamp does need to be changed, our patent pending socket system makes replacement easy.

The T-1® Light Source Outshines All Others

The T-1® is a highly efficient and long lasting light source that produces bright color correct light. This unique patented cold cathode technology has no filaments to burn out and is the smallest profile light source available. These attributes significantly differentiate it from other technologies. The superiority of this long life lamp is realized through its small size, easy lamp relocation, energy efficiency and cold operation.

LAMP MODULE

T-1® LAMP MODULE

| SYSTEM SPECIFICATIONS | DIMENSIONS |
|--|--|
| Lamp Lengths 6" to 24" | Ballast Electrical Specifications (per lamp) |
| Voltage 90v-300v | |
| Lamp Color Temperature 3,500-7,000°k | |
| Encased Lamp Diamter 2.6mm | |
| Lamp Life up to 100,00 hours | |
| Dimmable Yes | Length* Wattage Current |
| Battery Capable Yes | 6" 4w 65mA |
| Parallel Operation Yes | 12" 6w 100mA |
| Lamp Socket System Yes | 18" 8w 135mA |
| | 24" 9w 150mA |
| | *Call about Custom Lamp Lengths |

Features/Benefits

Specifier quality: shock and breakage resistant suitable for non-OEM installations

Unique attributes: smallest lamp available, cold operation, dimmable, battery capable

Universal application: available in various lengths and color correct temperatures

Exceptional brightness: even illumination for all applications

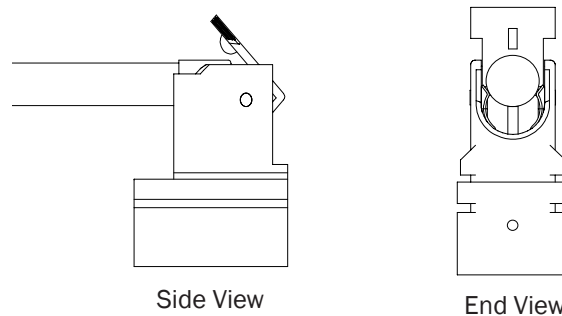
Efficient light source technology: the long life T-1® lamp

Saves energy: high lumen-per-watt output, low energy use

Maintenance free: provides stable, bright output far longer than other light sources. Patent pending socket system for ease of lamp replacement

Economical: costs less to operate than other light sources

Lamp and Socket System



Product Ordering Selector

| PRODUCT NUMBER | | EXAMPLE: TL242 | |
|----------------|-----------------|--|-------------------------|
| T | L | 24 | 2 |
| Product | Series | Length | No. of Lamps |
| T - T-1 | L - Lamp Module | 6 - 6 inch 12 - 12 inch 18 - 18 inch 24 - 24 inch | Specify Number Required |



www.T-1Lighting.com

888-733-6374

212-253-4248 fax

Warranty

Lamp and ballast shall be free from defects in material and workmanship five years from the date of manufacture. BJI Energy Solutions, LLC reserves the right to determine if the unit was defective, and that it was used in accordance with the Company's prescribed guidelines. Warranty will not be honored for a device which is opened or installed in situations not intended for installation. This warranty only covers replacement of defective components and BJI Energy Solutions, LLC is not responsible for losses beyond the actual product supplied.

This BJI Energy Solutions, LLC product is protected by US patent #6,135,620 and other patents pending. T-1 and Xtrabright are registered trademarks of BJI Energy Solutions, LLC. All rights reserved.