

T-1® *CLARITY* SERIES

The T-1® *Clarity* Series is the first track head to offer superior performance in an energy efficient fixture. This elegant new design meets the challenge of providing aesthetics without sacrificing performance. Illuminated by T-1® Lighting's patented cold cathode light source, our energy efficient track head provides bright light while far outlasting light sources in other fixtures.



Design

Our exclusive head design combines architectural appeal and the T-1® technology to provide uniform illumination in an energy efficient lighting fixture. The universal mounting adapts to several standard tracks and allows vertical adjustment, as well as rotation in any horizontal plane. The short stem insures operation in close fitting environments. Finishes are available in white, black, aluminum or our own titanium coating, to compliment any interior décor.

Lower cost

High energy efficiency plus long term maintenance free service translates into very low operating costs. The T-1® *Clarity* track head significantly reduces operating costs compared to a standard fluorescent fixture. Its cold operation keeps ambient temperatures lower in situations where multiple lights are in use.

Maintenance free

The long lasting T-1® light source eliminates maintenance labor and improves light fixture reliability. Install the T-1® *Clarity* and forget about maintenance. Its bright shine will continue long after other lights have burned out. If a lamp does need to be changed, our patent pending socket system makes replacement easy.

The T-1® Light Source Outshines All Others

The T-1® is a highly efficient and long lasting light source that produces bright color correct light. This unique patented cold cathode technology has no filaments to burn out and is the smallest profile light source available. These attributes significantly differentiate it from other technologies. The superiority of this long life lamp is realized through its small size, easy lamp replacement, energy efficiency and cold operation.

TRACK
TRACK
TRACK

T-1® CLARITY SERIES

SYSTEM SPECIFICATIONS

Voltage 120v
 Wattage* 30w
 Current 600mA
 Lamp Color Temperature 3,500°k
 Light Source Long Life T-1®
 No. of Lamps/Unit Two or Four
 Parallel Operation Yes
 Lamp Socket System Yes
 Universal Track Adapters Yes

* Quadruple lamps - 24" fixture

Features/Benefits

Specifier quality: architecturally designed track head with custom housing finishes

Universal application: adapts to standard tracks and allows full head rotation

Exceptional brightness: even illumination for all applications

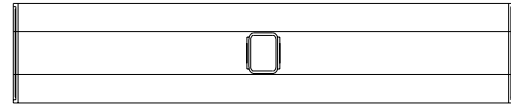
Efficient light source technology: the high performance T-1® lamp

Saves energy: high lumen-per-watt output

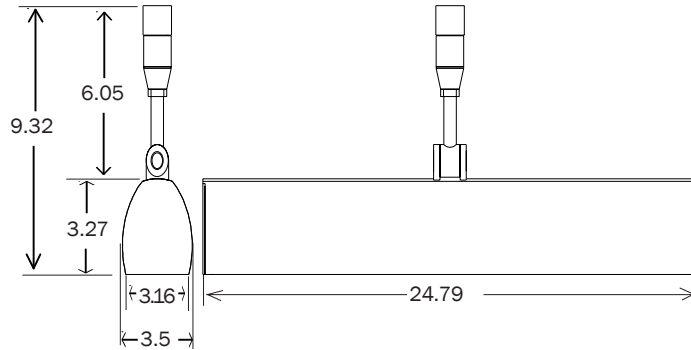
Maintenance free: provides stable, bright output far longer than fluorescent lamps

Economical: costs less to operate than traditional fluorescent lamp fixtures

DIMENSIONS



Top View



Side View

24" fixture illustrated

Product Ordering Selector

PRODUCT NUMBER		EXAMPLE: TC2441W			
T	C	24	4	1	W
Product	Series	Length	No. of Lamps	Track Type	Color
T - T-1®	C - Clarity	6 - 6 inch 12 - 12 inch 18 - 18 inch 24 - 24 inch	2 - Double 4 - Quadruple	1 - ESP 2 - T-1	W - White S - Silver T - Titanium B - Black

Options

SKU	NAME	DESCRIPTION
TCV 4000	Louver	Aluminum Louvers
TCL 4200	Lens	Prismatic Lens



www.T-1Lighting.com

888-733-6374

212-253-4248 fax

Warranty

Lamp and ballast shall be free from defects in material and workmanship five years from the date of manufacture. BJI Energy Solutions, LLC reserves the right to determine if the unit was defective, and that it was used in accordance with the Company's prescribed guidelines. Warranty will not be honored for a device which is opened or installed in situations not intended for installation. This warranty only covers replacement of defective components and BJI Energy Solutions, LLC is not responsible for losses beyond the actual product supplied.

This BJI Energy Solutions, LLC product is protected by US patents #6,135,620, 6,616,310 and other patents pending. T-1 and Xtrabright are registered trademarks of BJI Energy Solutions, LLC. All rights reserved.